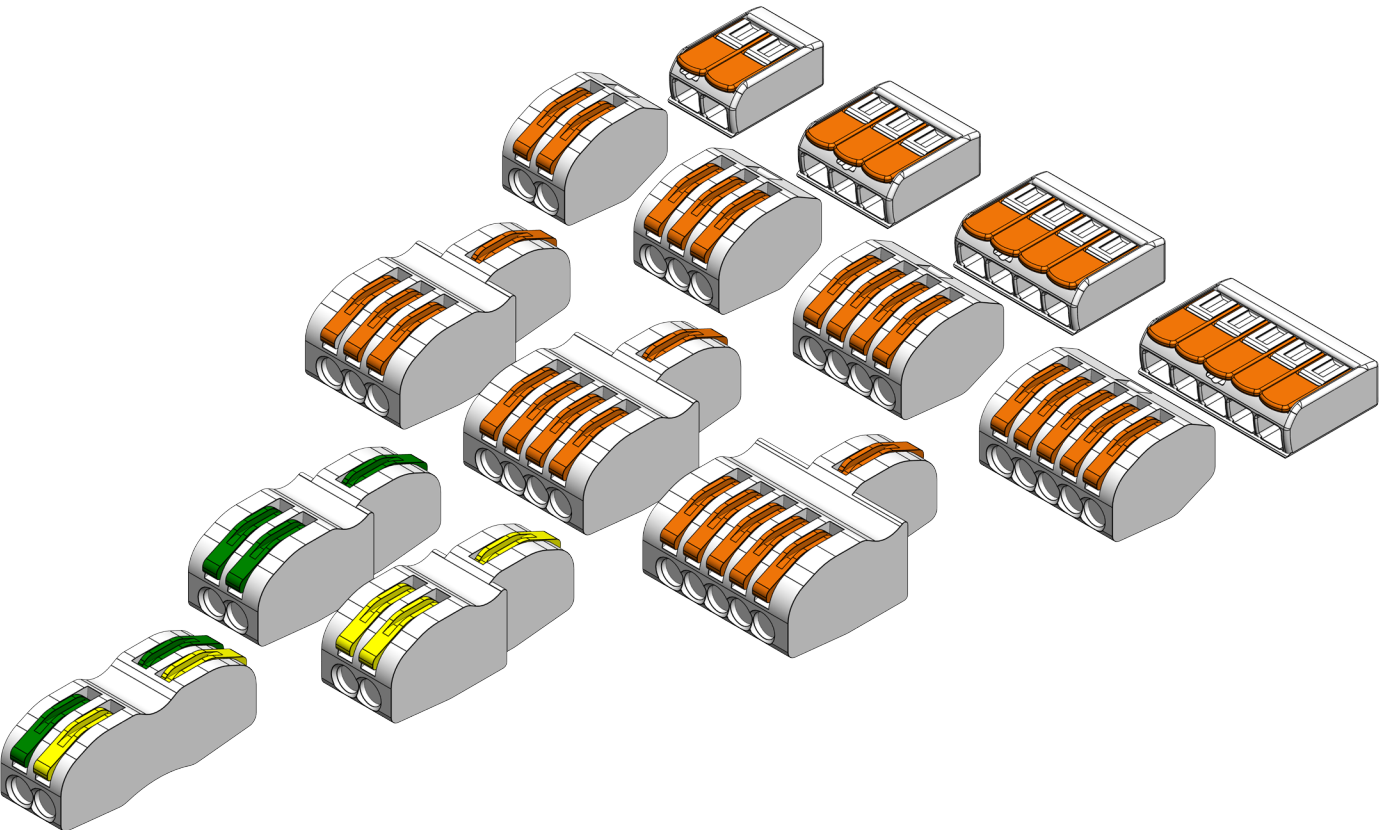


# Wire Nuts - User Guide

(Rev 1)





## Table of Contents

What are Wire Nuts? .....	3
Standard Wire Nuts .....	4
Multiple Output Wire Lever Nuts .....	5
Inline Wire Lever Nuts .....	6
Revision Table .....	7



## What are Wire Nuts?

The Wire Nuts allow for faster and more reliable connections to be made between smaller gauge wires. The compact and robust design means that you never have to worry about your connectors taking up too much space or coming unplugged. Simply strip the wires to the correct length and you're good to go.

The different styles of Wire Nuts are perfect for a number of situations:

- Extending wires
- Splicing wires together
- Splicing wires to have up to five outputs
- Connecting and keeping track of CAN wire

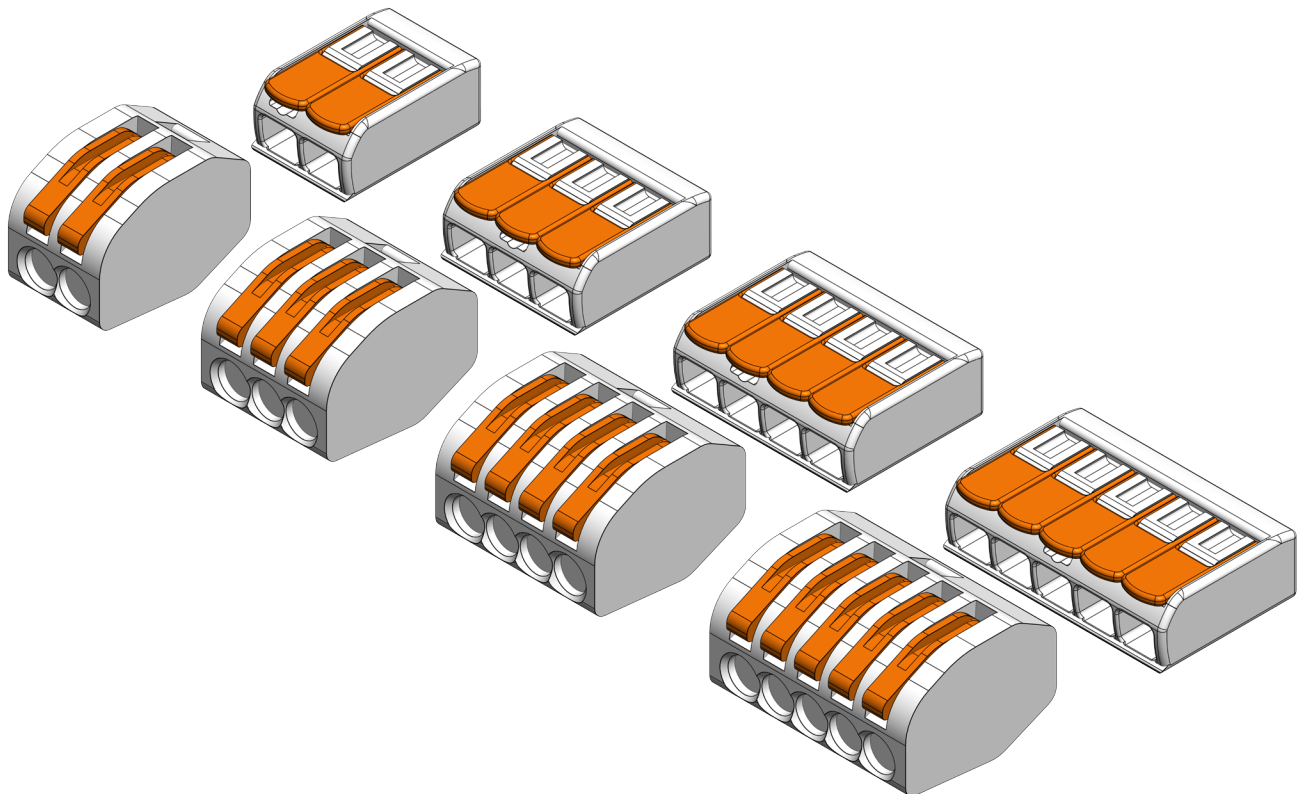


## Standard Wire Nuts

These Standard Wire Nuts are ideal for when you need to splice between 2 and 5 wires together. The instructions for use are the same across all styles. Listed in the table below are the specifications for the Standard Wire Nuts.

To use the Standard Wire Nuts, first strip the desired number of wires to 10mm (or roughly 3/8") and twist the exposed wire. Then lift the lever, insert the stripped ends of the wire, and lower the lever. Finally, give the wires a light tug to check that they are fully clamped by the Wire Nuts.

Wire Size	0.08-4.0mm <sup>2</sup> or 28-12AWG
Rated Voltage	400V
Rated Current	32A
Strip Length	10mm or 3/8"





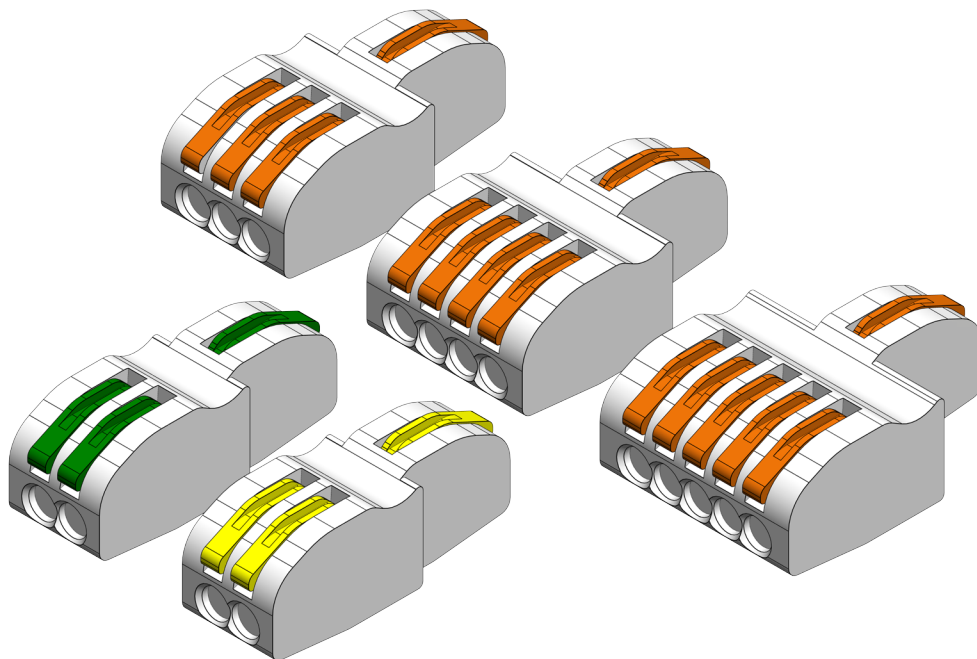
## Multiple Output Wire Lever Nuts

Just like the Standard Wire Nuts, the Multiple Output Wire Lever Nuts are ideal for situations where you need to splice multiple wires together. However, they also come with the added benefit of having the input on one side making it easier to keep track of the input wire. Listed in the table below are the specifications for the Multiple Output Wire Lever Nuts. The instructions for use are the same across all styles and colors.

To use the Multiple Output Wire Lever Nuts, first strip the desired number of wires to 10mm (or roughly 3/8") and twist the exposed wire. Then lift the lever, insert the stripped ends of the wire, and lower the lever. Finally, give the wires a light tug to check that they are fully clamped by the Wire Nuts.

**Note:** All styles of the Multiple Output Wire Lever Nuts are stackable and can be stacked side by side.

Wire Size	0.08-4.0mm <sup>2</sup> or 28-12AWG
Rated Voltage	400V
Rated Current	32A
Strip Length	10mm or 3/8"





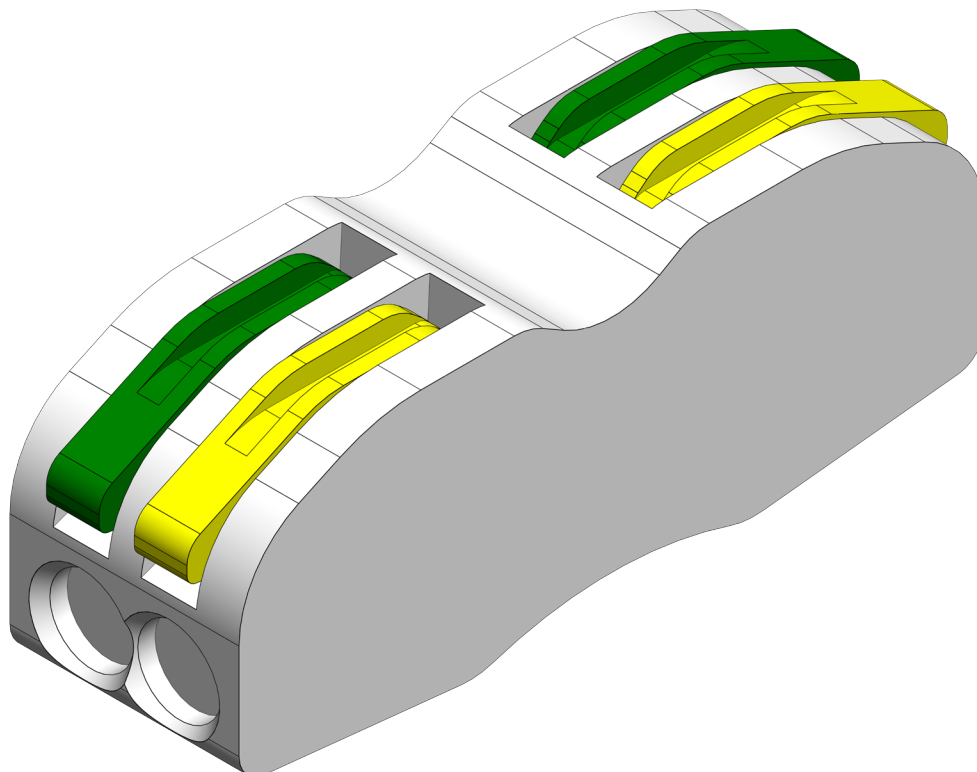
## Inline Wire Lever Nuts

The Inline Wire Lever Nuts are perfect for situations when 2 sets of lines need to be spliced, like CAN wire. The multicolored levers allow users to quickly distinguish between the two lines.

To use the Inline Wire Lever Nuts, first strip the desired number of wires to 10mm (or roughly 3/8") and twist the exposed wire. Then lift the lever, insert the stripped ends of the wire, and lower the lever. Finally, give the wires a light tug to check that they are fully clamped by the Wire Nuts.

**Note:** The lever color indicates which ports connect to each other.

Wire Size	0.08-4.0mm <sup>2</sup> or 28-12AWG
Rated Voltage	250V/400V
Rated Current	32A
Strip Length	10mm or 3/8"





## Revision Table

Revision Date	Revision #	Description
12/10/2021	1.0	First revision created.